

Compact Laser Particle Counter

Portable, accurate and suitable for on-site applications. The CLPC can automatically measure particulate contamination, moisture and temperature levels in various fluids.



Ordering Codes

CLPC	-		-	
		Box 1		Box 2

Moisture & Temperature Sensor [Box 1]	
Code	Description
W	Moisture & temperature sensor*
O	No moisture & temperature sensor

Fluid Compatibility [Box 2]	
Code	Description
M	Mineral / synthetic fluid
N	Offshore and selected water-based fluids (stainless steel with NBR seals)*
S	Phosphate ester and aggressive fluids (stainless steel with FPM seals)*

* N and S version, moisture sensor (W) not available

Product Specifications

TECHNOLOGY:

Twin laser and twin optical diode detectors Based Light Extinction Automatic Optical Contamination Monitor

FEATURES:

- Light and portable
- Integrated battery
- Full Calibration based on ISO11171
- Data logging and 600 test result memory
- Manual and remote control flexibility

CALIBRATION:

Each unit individually calibrated with ISO Medium Test Dust (MTD) based on ISO 11171, on equipment certified by I.F.T.S. To ISO 11943

ANALYSIS RANGE:

- ISO 4406:2017 Code 8 to 24
- NAS 1638 Class 2 to 12
- AS4059 Rev. E. Table 1 Size Codes 2-12
- AS4059 Rev. E. Table 2 Size Codes, A:000 to 12, B:00 to 12, C:00 to 12, D:2 to 12, E: 4 to 12, F: 7 to 12

PERFORMANCE SPECIFICATIONS:

Voltage	9-36 VDC
Power	Internal interchangeable battery
Pressure Range	29 - 5802 PSI (2 - 400 bar)
Viscosity Range	up to 400 cSt
Weight	13.2 lb (6 kg)
Fluid Temperature	41° F - 176° F (+5° C - +80° C)
Ambient Temperature	14° F - 140° F (-10° C - +60° C)
Temperature Measurement	± 37.4° F (± 3° C)
Particle Sizing	>4, 6, 14, 21, 25, 38, 50, 70 µm(c) to ISO 4406:2017 Standard
Accuracy	Better than 3% typical

Data Storage	600 tests
Communication Options	USB communication port
Environmental Protection	IP51 (open lid)
Moisture Sensing	%RH (relative humidity) ± 3%
Outer Case Material	Injection Molded Ultra High Impact structural copolymer
Software	Des-Case View (included)
Sample Volume / Test Time (seconds)	0.27 oz (8 ml) (short): 2:50 0.50 oz (15 ml) (normal): 5:00 1.01 oz (30 ml) (dynamic): 10:00 0.81 oz (24 ml) (bottle sampler): 8:00 0.51 oz (15 ml) (continuous): 5:00

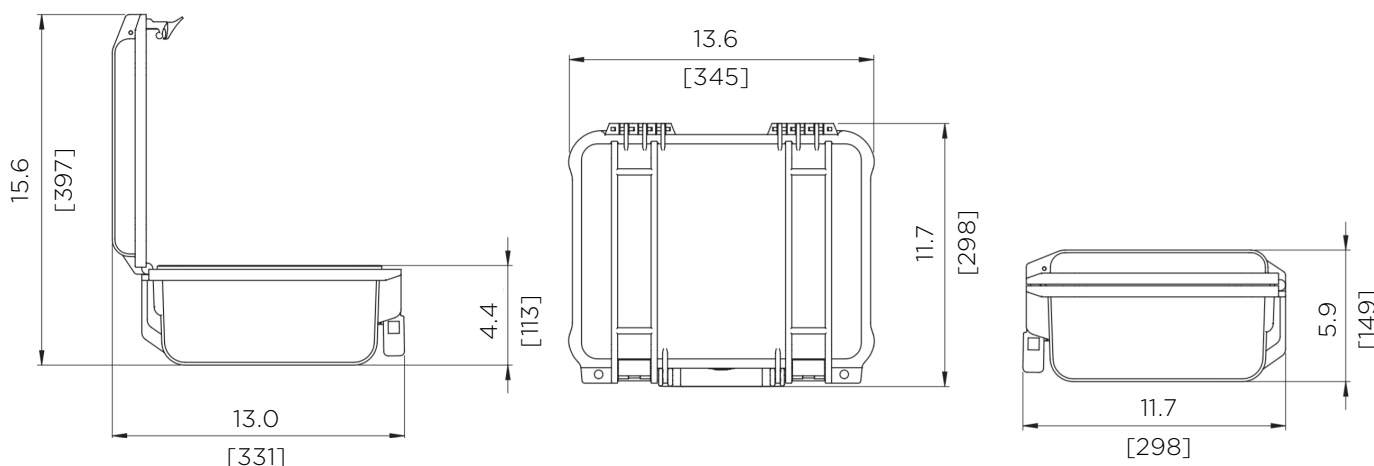
SCOPE OF SUPPLY

- 1 x CLPC (Specific model will be as per ordered item)
- 1 x M16x2 microbore pressure hose, 1500mm long
- 1 x Quick release waste hose for CLPC
- 1 x 1L waste receptacle
- 1 x 12V, 2A power adapter c/w UK/EU/US/AUS/CN heads

- 1 x USBB to USBA cable
- 1 x Hard copy of product user guide
- 1 x Digital copy of user guides/software/drivers
- 2 x Hard copy of calibration certificate
- 1 x Carry bag

Dimensions

Note: All dimensions are in inches/[mm]



Software

The Des-Case View is a complete software for usage with the CLPC and PLPC particle counters. This software is included with every Des-Case particle counter.

When connected to the software, particle counters can transfer results in real time, or historical results can be downloaded from the built in memory of the particle counter.

- Full adjustment & control of product settings, test times and alarms
- Easy test report generation
- Trend analysis
- Graphical display options
- Universal format across our contamination monitoring product range
- Compatible with Windows 10

Bottle Sampling Units

Bottle sampling units are suitable for off-line and laboratory applications where fluid sampling at point of use is inaccessible or impractical. The bottle sampling units are available in two sizes; 110 ml and 500 ml.



Unit only. Bottles, tubing and pump sold separately